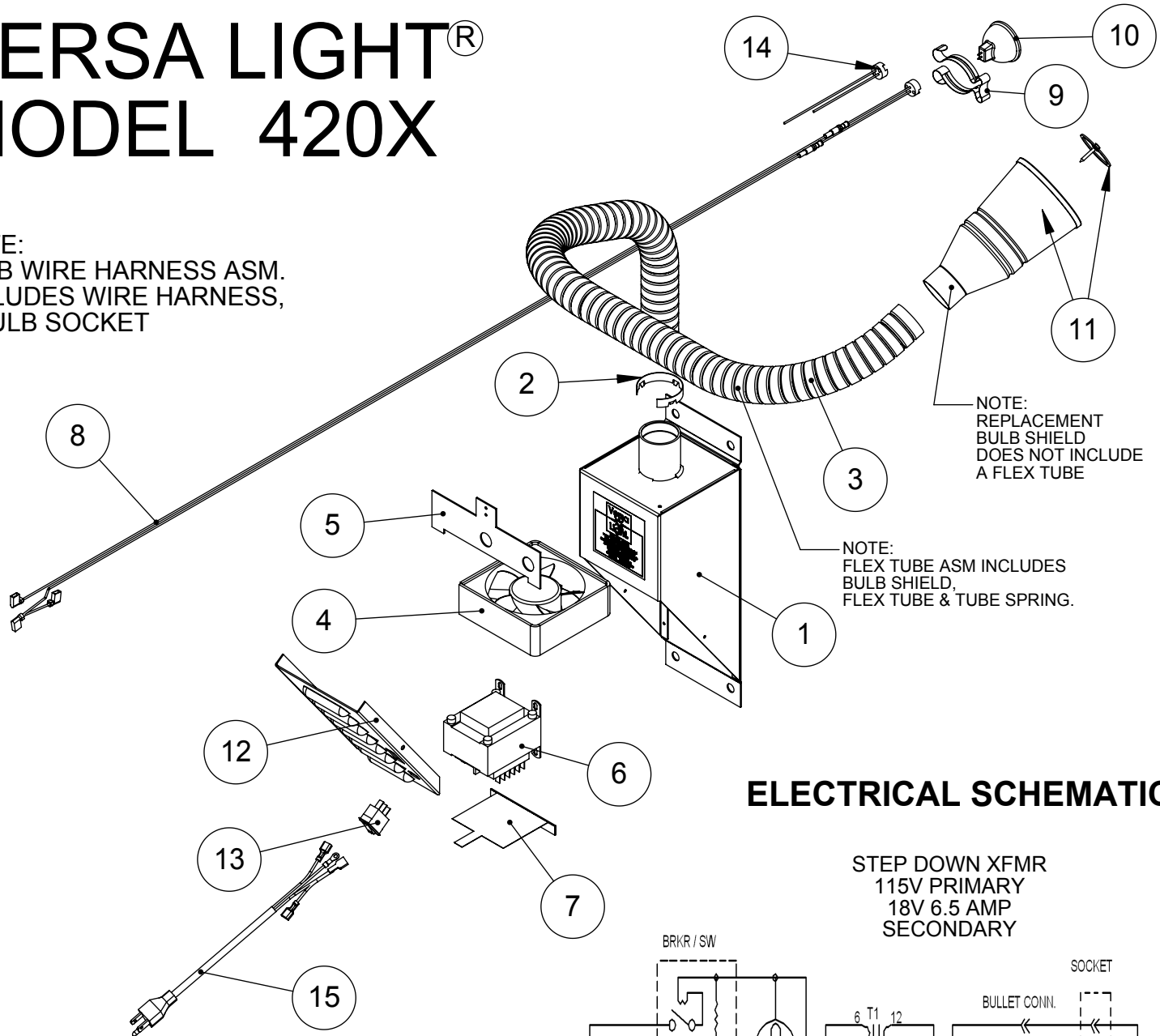


# VERSA LIGHT<sup>®</sup> MODEL 420X

NOTE:  
BULB WIRE HARNESS ASM.  
INCLUDES WIRE HARNESS,  
& BULB SOCKET

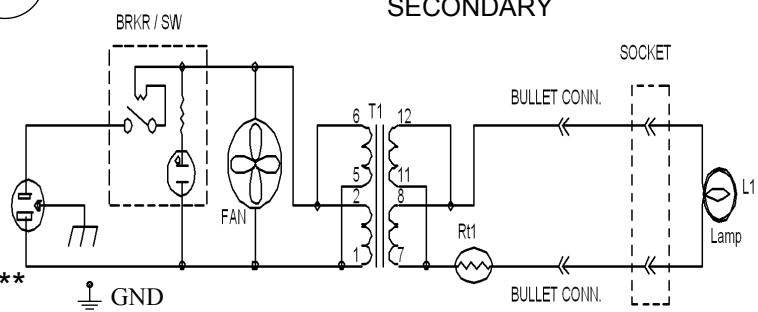


NOTE:  
REPLACEMENT  
BULB SHIELD  
DOES NOT INCLUDE  
A FLEX TUBE

NOTE:  
FLEX TUBE ASM INCLUDES  
BULB SHIELD,  
FLEX TUBE & TUBE SPRING.

## ELECTRICAL SCHEMATIC

STEP DOWN XFMR  
115V PRIMARY  
18V 6.5 AMP  
SECONDARY



\*\*\*USE ONLY VL2001 REPLACEMENT BULBS\*\*\*

ITEM NO.	PART NUMBER	DESCRIPTION	420X/QTY.
1	VL5001	CABINET	1
2	VL4001	TUBE SPRING	1
3	VL5004	FLEX TUBE ASM	1
4	VL2005	115V FAN ASM.	1
5	VL5002	AIR DEFLECTOR	1
6	VL2004	115/230 VAC TRANSFORMER	1
7	VL5013	BARRIER ASSY	1
8	VL8029	REPLACEMENT BULB HARNESS ASM.	1
9	VL5005	BULB RETAINER SPRING	1
10	VL2001	VERSA LIGHT REPLACEMENT BULB	1
11	VL5010	REPLACEMENT BULB SHIELD	1
12	VL5003	COVER PLATE	1
13	VL2003	115 VAC SWITCH	1
14	VL2002	REPLACEMENT BULB SOCKET/18 GAGE WIRE	1
15	VL5008	POWER CORD 110V	1

# VERSA LIGHT® INSTALLATION GUIDE

## Mounting Instructions

### > IMPORTANT!

**MUST BE INSTALLED BY  
QUALIFIED ELECTRICIAN**

115AC/1.65 AMPS/60HZ VOLTAGE

### > IMPORTANT!

For proper operation Versa Light must be mounted 66" from floor (see figure below).

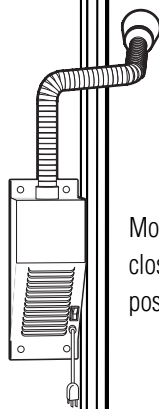
Contact manufacturer for alternate mounting procedures.

4 installer supplied wall fasteners are required.

**IMPORTANT**

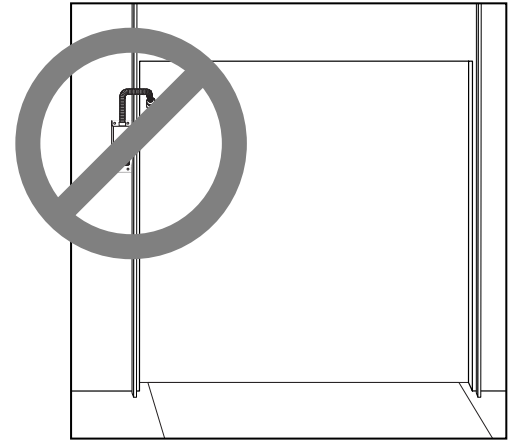
66"

168 cm

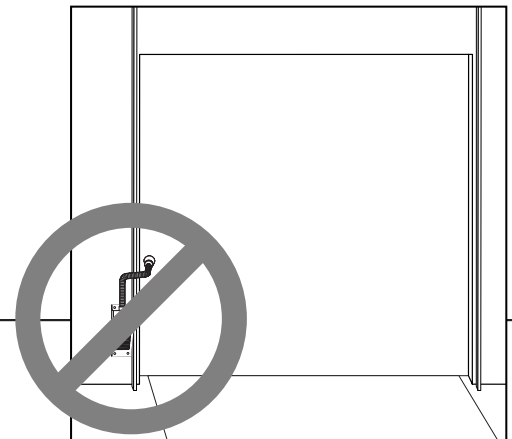


Keep flex tube in upward position.

Mount Versa Light as close to door track as possible.



**Versa Light Mounted Too High**



**Versa Light Mounted Too Low**



*A Product of*



340 Gateway Park Drive  
North Syracuse, NY 13212  
Phone: 315-463-7348  
Toll Free: 866-235-7468  
Fax: 315-463-8559  
Email: [info@dlmanufacturing.com](mailto:info@dlmanufacturing.com)  
[www.dlmanufacturing.com](http://www.dlmanufacturing.com)