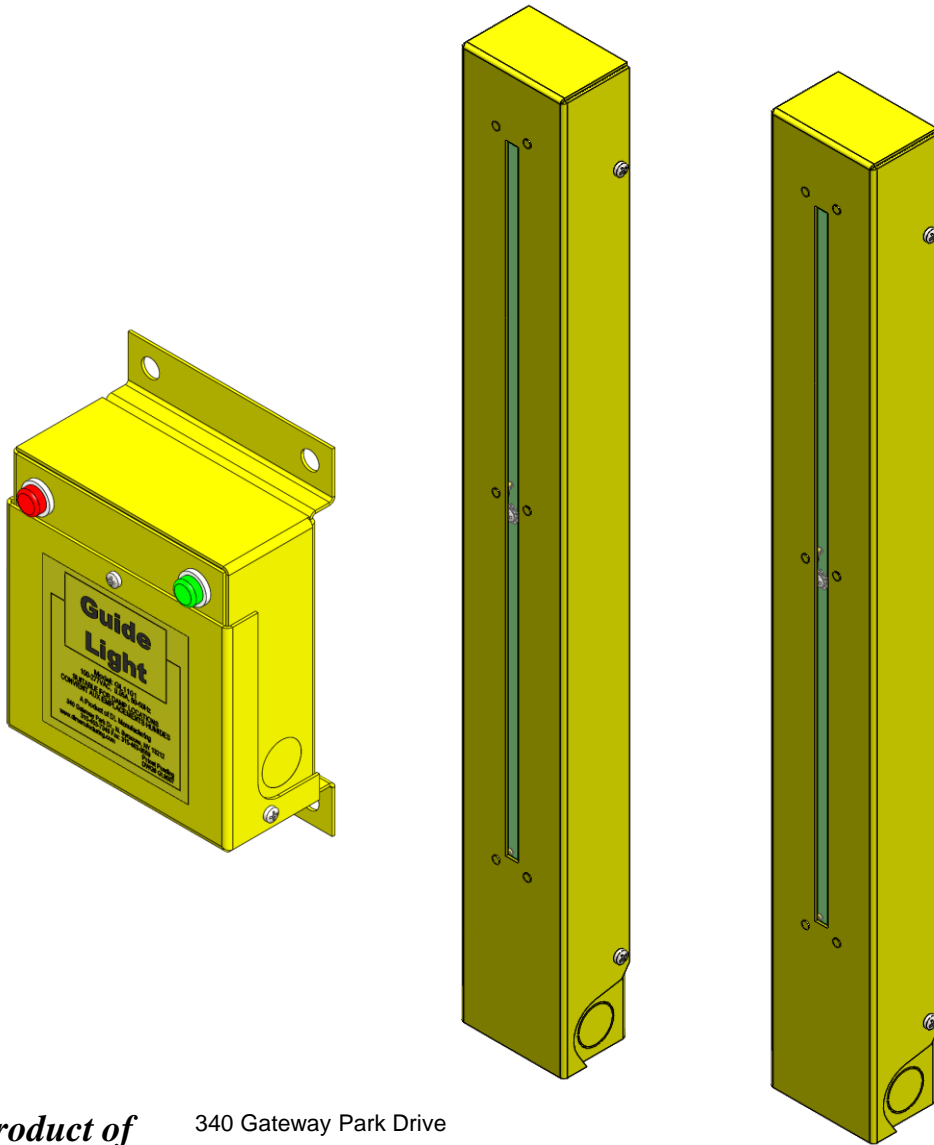


GUIDE LIGHT™
MODELS GL1100 / 1101 / 1102 / 1103



A Product of



340 Gateway Park Drive
North Syracuse, NY 13212

Phone: 315-463-7348

Toll Free: 866-235-7468

Fax: 315-463-8559

Email: sales@dlmanufacturing.com

www.dlmanufacturing.com

Table of Contents

Page 1 :	Cover Page
Page 2 :	Table of Contents
Page 3 :	Models, Electrical Ratings, Installer Supplied Fasteners
Page 4 :	Locating and Mounting the Inside Power Box
Page 5:	Locating and Mounting the Outside Guide Light Boxes
Page 6:	Photo-eye Mounting for Sectional Doors
Page 7:	Photo-eye Mounting for Rolling Steel Doors
Page 8:	Wiring Schematic for GL1100 (Yellow)
Page 9	Wiring Schematic for GL1101 (Wobble Red\Green)
Page 10:	Wiring Schematic for GL1102 (Photo-eye Red\Green)
Page 11:	Wiring Schematic for GL1103 (Application with a Safety Signal Red\Green)
Page 12:	Alternate Wiring Schematic for GL1103 (Application with a Smart Chock Yellow)
Page 13:	Alternate Wiring Schematic for GL1103 (Application with a Smart Chock Red/Green)
Page 14:	Terms/Conditions/Warranty

Guide Light™ Installation Guide

Models, Electrical Ratings, Installer Supplied Fasteners & Warnings

Installers should completely review this manual prior to starting. Please use extreme caution and proper safety procedures when working around loading docks and levelers. Refer to leveler manufacturer's Owners Manual prior to starting for proper safety procedures.

Models

GL1100	Yellow
GL1101	Red/Green with Wobble Switch
GL1102	Red/Green with Photo-Sensor
GL1103	Add on kit to DL Manufacturing Safety Signal or Smart Chock

Electrical Ratings

INPUT VOLTAGE	100-277 VAC
INPUT FREQUENCY	50-60 HZ
MAXIMUM INPUT CURRENT	0.05 amp
OUTSIDE LIGHT BOX VOLTAGE	12 VDC
MAXIMUM OUTSIDE LIGHT BOX LOAD CURRENT	1.25 A (12 V POWER SUPPLY CURRENT LIMIT)
SENSOR VOLTAGE (Photo-eye)	12 VDC
MAXIMUM SENSOR CURRENT (Photo-eye)	.2 A

Installer Supplied Fasteners

MOUNTING SURFACE	POWER BOX (INSIDE)	GUIDE LIGHTS (OUTSIDE)
CONCRETE BLOCK OR CONCRETE WALL	(4) ¼" X 1-1/4" HEX WASHER HEAD CONCRETE ANCHORS AND ¼" FLAT WASHERS	(4) ¼" X 1-1/4" HEX WASHER HEAD CONCRETE ANCHORS AND ¼" FLAT WASHERS
STEEL OR SHEETMETAL	(4) ¼" X ¾" SELF-TAPPING SCREWS AND ¼" FLAT WASHERS	(4) ¼" X ¾" SELF-TAPPING SCREWS AND ¼" FLAT WASHERS

Guide Light™ Installation Guide

Locating and Mounting the Inside Power Box Models (GL1100 / GL1101 / GL1102)

1. The inside Power Box should be mounted on the left side of the door as shown in Figure #1. Refer to page 3 for suggested mounting fasteners.
2. Connect input power (100 – 277 VAC, 1 PH) to the Power Box.
3. Using rigid conduit, connect the inside Power Box to the Guide Light box as shown in Figure #2. **NOTE: The outside Guide Light boxes are arranged as a mother-daughter board configuration. Make sure the conduit from the inside Power Box goes to the Guide Light box containing the mother board and a large “R” sticker. This Guide Light box should be mounted on the right side of the dock when looking at it from the outside.**
4. Run two to seven conductors to the outside Guide Light box depending upon which Guide Light model is being installed.

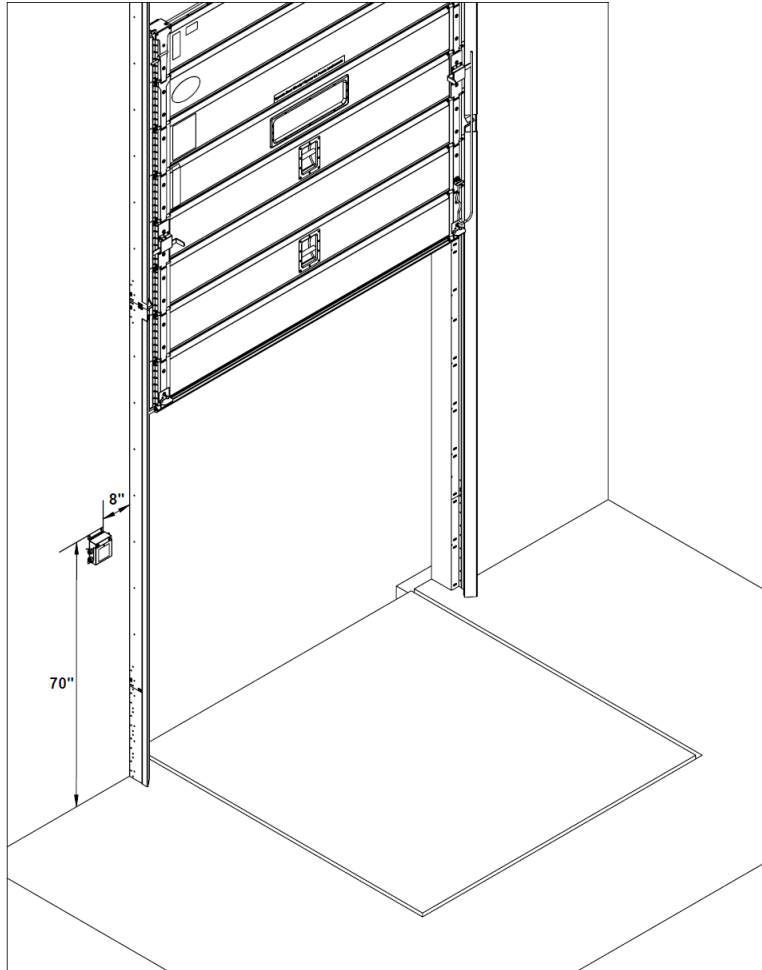


Figure #1. Inside Power Box

Guide Light™ Installation Guide

Locating and Mounting the Outside Guide Light Boxes (GL1100/GL1101/GL1102/GL1103)

1. Mount one outside Guide Light box on each side of the dock. The Guide Light box with the “R” sticker goes on the right side; the box with “L” sticker goes on left side. The boxes should be placed so that they do not interfere with dock bumpers, leveler or dock seals. Guide Lights are typically mounted 9 feet apart, however, local DOT or customer-specific applications may require different spacing.
2. Mount the outside Guide Light boxes using concrete anchors or concrete screws. Refer to page 3 for suggested mounting fasteners. Mount the outside Guide Light boxes as shown in Figure #2. Do not mount Guide Lights too close or behind objects (bollards, dock seals, shelters) which could obstruct a drivers view.
3. Connect the two boxes using rigid conduit, making sure that the conduit is securely fastened to the wall and does not interfere with the dock leveler operation.
4. Run four conductors between the boxes and terminate.

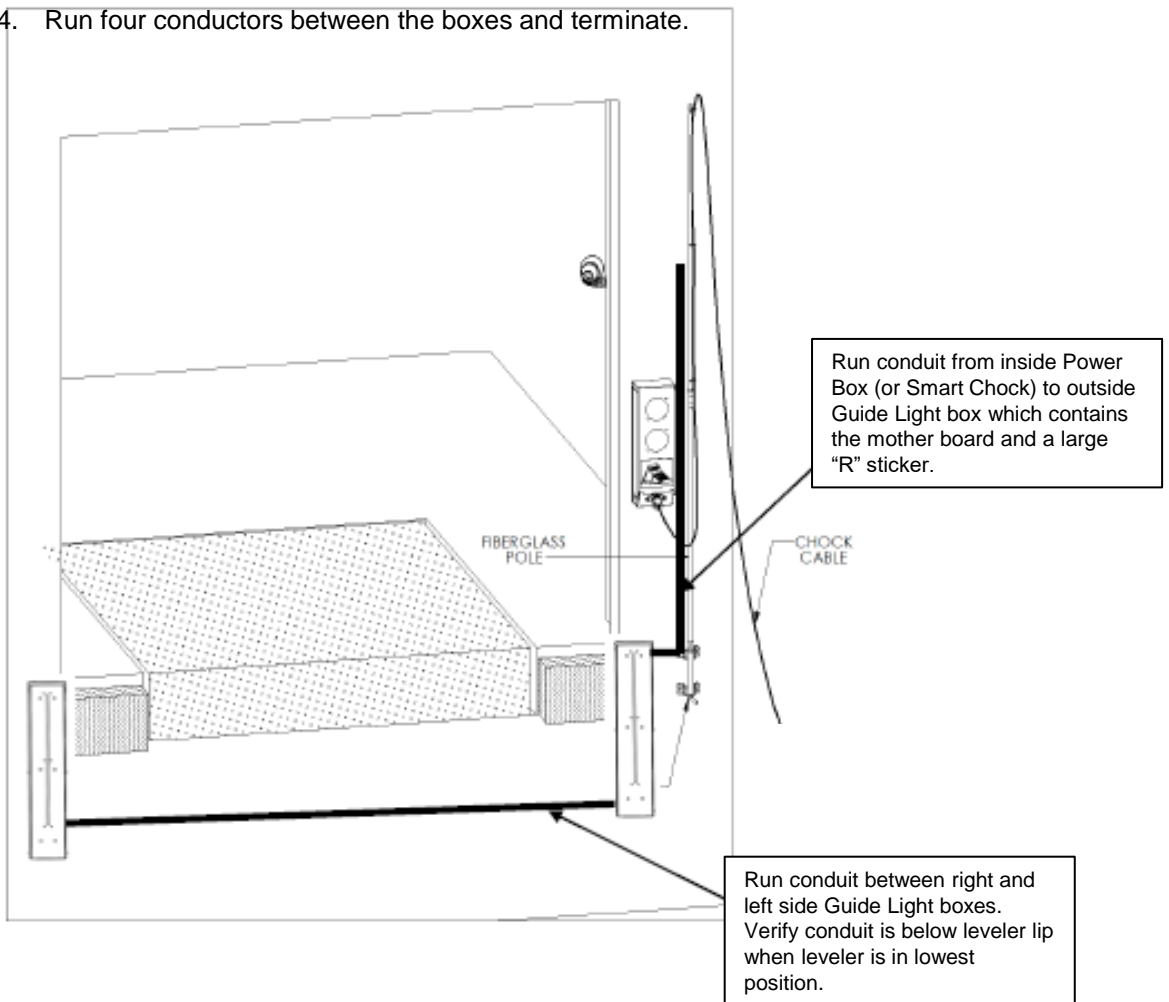
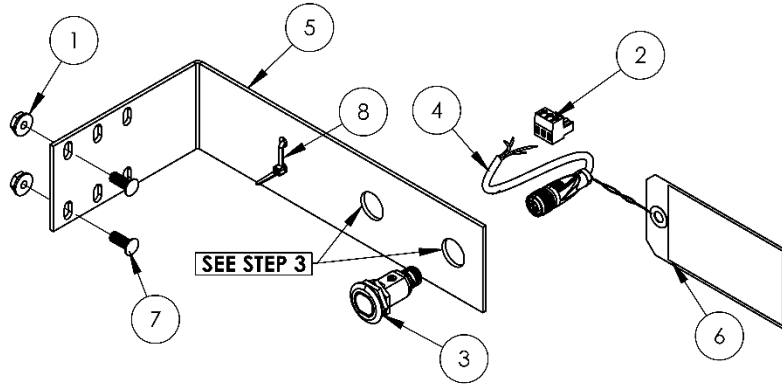


Figure #2. Outside Guide Light Boxes

PHOTOEYE INSTALLATION GUIDE



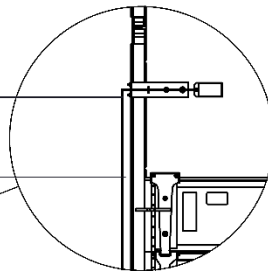
STANDARD LOCATION (ABOVE DOOR HEADER) MOUNTING INSTRUCTIONS:

STEP 1
MEASURE 18" ABOVE THE DOOR.
SEE DETAIL A

STEP 2
DRILL TWO HOLES IN ROLLER TRACK (USE 17/64" DRILL BIT).

STEP 3
USE MOUNTING HOLE THAT BEST LOCATES PHOTOEYE TO DETECT THE DOOR AND NO OTHER OBSTACLES, SUCH AS LIFTING CABLE. **THE FACE OF THE PHOTO EYE SHOULD NOT BE MORE THAN 2" FROM THE FACE OF THE DOOR**

STEP 4
ORIENT PHOTOEYE SO DISTANCE ADJUSTMENT SCREW IS FACING TOWARDS THE FLOOR.



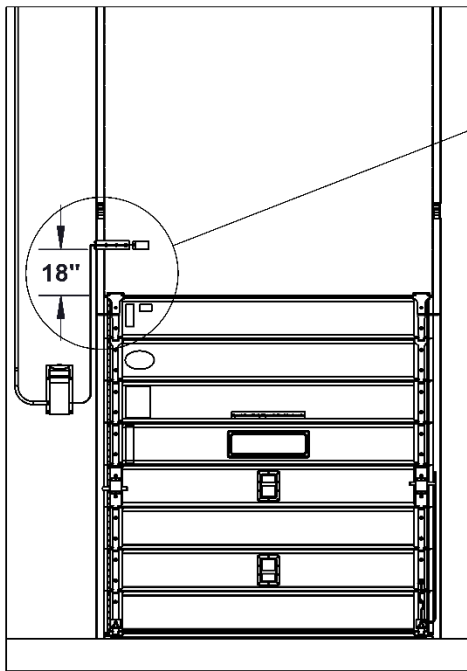
DETAIL A
SCALE 1 : 30

WIRING & DISTANCE ADJUSTMENTS:

STEP 1
FOR STANDARD LOCATION WIRING SEE FIGURE #1. FOR REVERSE LOCATION WIRING SEE FIGURE #2.

STEP 2
PHOTOEYE BEAM IS FACTORY PRESET TO 4" DISTANCE. THIS DISTANCE CAN BE ADJUSTED TO A MAXIMUM OF 9". **IMPORTANT:** FOR BEST RESULTS, PHOTOEYE BEAM SHOULD POINT AT A NON-REFLECTIVE SURFACE. **THE FACE OF THE PHOTO EYE SHOULD NOT BE MORE THAN 2" FROM THE FACE OF THE DOOR.** CONTACT DL MANUFACTURING IF THIS IS NOT POSSIBLE

STEP 3
START UP CHECK: THE PHOTOEYE INDICATOR LIGHT SHOULD BE SOLID GREEN WHEN BEAM DOES NOT DETECT THE DOOR. THE INDICATOR LIGHT SHOULD BE YELLOW WHEN BEAM DETECTS THE DOOR. INDICATOR LIGHT WILL BLINK IF AN ERROR OCCURS.



ITEM NO.	ITEM NO.	PART NUMBER	DESCRIPTION	QTY.
CP5036	1	CP2046	1/4-20 FLANGE NUT	2
	2	CP3216	3 POLE TERMINAL BLOCK	1
	3	CP3397	P&F PHOTO SENSOR (GLV18-8-H-8083/73/120)	1
	4	CP3398	FEMALE CORD SET	1
	5	CP4052	P&F PHOTOEYE BRACKET	1
	6	CP9077	PHOTO EYE INSTALLATION MTG. INSTR. TAG	1
	7	DR2119	1/4-20 X 5/8 SLOTTED TRACK BOLT	2
	8	VL2028	4" x 1/8" TIE WRAP	5

STANDARD LOCATION MOUNTING (ABOVE DOOR HEADER)

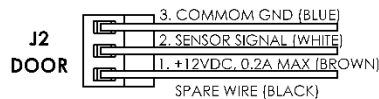


FIGURE: #1

REVERSE LOCATION MOUNTING (BELOW DOOR HEADER)

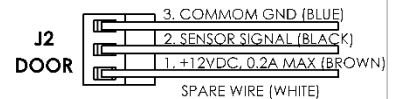


FIGURE: #2

CP9078 - REV F

MAGNETIC SENSOR INSTALLATION GUIDE

DLM MODEL:CP5038

NOTE:

SENSOR DOES NOT REQUIRE ANY POWER TO WORK. DO NOT RUN SENSOR WIRE IN SAME CONDUIT WITH 115 AND HIGHER VOLTAGE. TRANSIENTS CAN DAMAGE CONTROL BOARD.

STANDARD LOCATION

MOUNTING INSTRUCTIONS:

STEP 1

RECOMMENDED MOUNTING HEIGHT IS 36" (48" MAX.) FROM THE FLOOR. SENSOR CAN BE MOUNTED LEFT OR RIGHT SIDE OF DOOR.

STEP 2

MOUNT SENSOR AT DESIRED HEIGHT AND TIGHTEN TO DOOR CHANNEL WITH 1/4"-20 SET SCREWS.

STEP 3

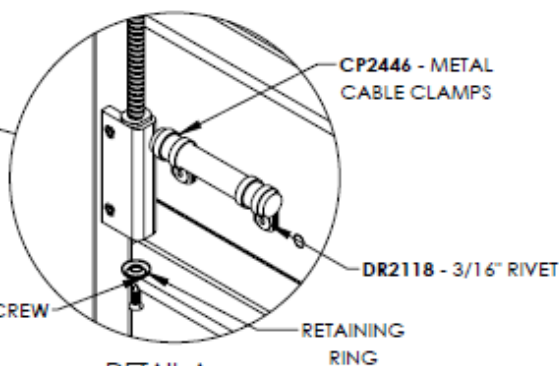
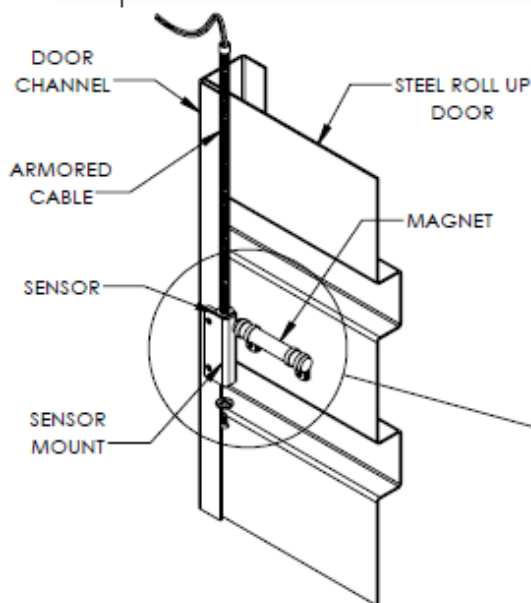
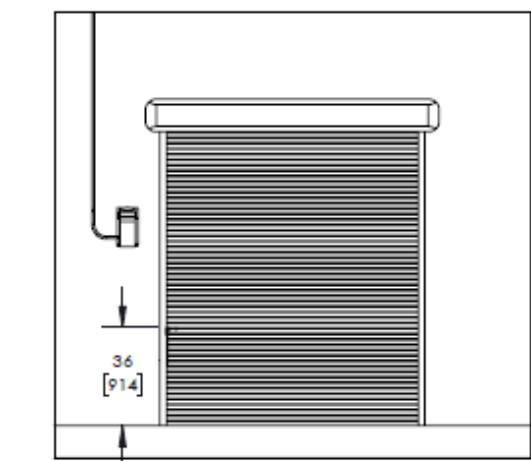
MOUNT FACE OF THE MAGNET WITHIN 1/4-1/2" FROM THE EDGE OF THE SENSOR MOUNT. MARK AND PRE-DRILL TWO 3/16" HOLES FOR DR2446 -CABLE CLAMPS. ATTACH TO STEEL DOOR WITH TWO DR2118 - 3/16" BLIND RIVETS.

NOTE:

FOR BEST PERFORMANCE AND OPERATION, THE MAGNET MUST BE POSITIONED ONE END OR OTHER OF THE SENSOR MOUNT.

STEP 4

CONFIRM PROPER OPERATION BY MOVING DOOR UP AND DOWN. MAGNETIC CONTACT WILL CHANGE LIGHTS ON CONTROL BOARD ACCORDING TO THE "SEQUENCE OF OPERATION" IN THIS MANUAL.



DETAIL A
SCALE 1 : 3

WIRING INSTRUCTIONS:

WIRE SENSOR TO CONNECTOR "J2" LABELED "DOOR" ON CONTROL BOARD. CONNECT THE RED AND BLACK WIRES TO PIN 1 AND TO PIN 2 (PIN 3 NOT USED).

THE SENSOR IS A PASSIVE SWITCH; IT DOES NOT MATTER WHICH WIRE IS CONNECTED TO PIN 1 OR PIN 2.

SEE FIGURE #1

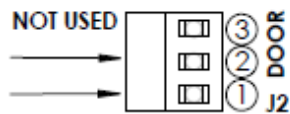
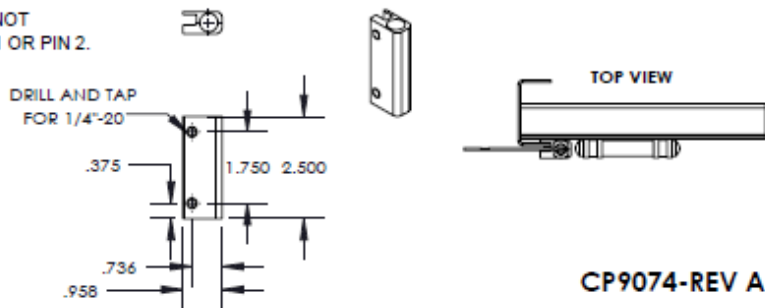


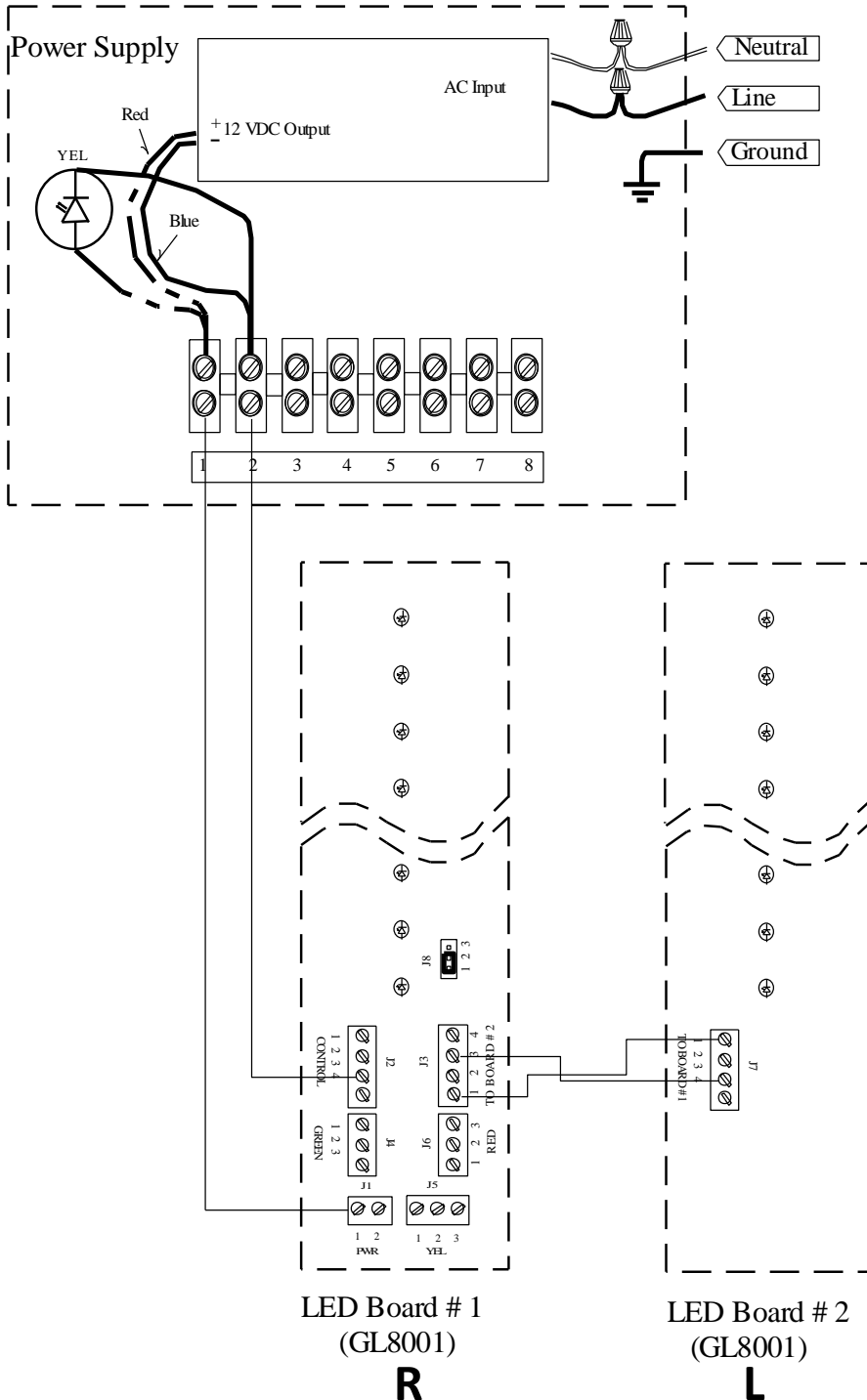
FIGURE: #1



CP9074-REV A

Wiring Diagram GL1100 (Yellow)

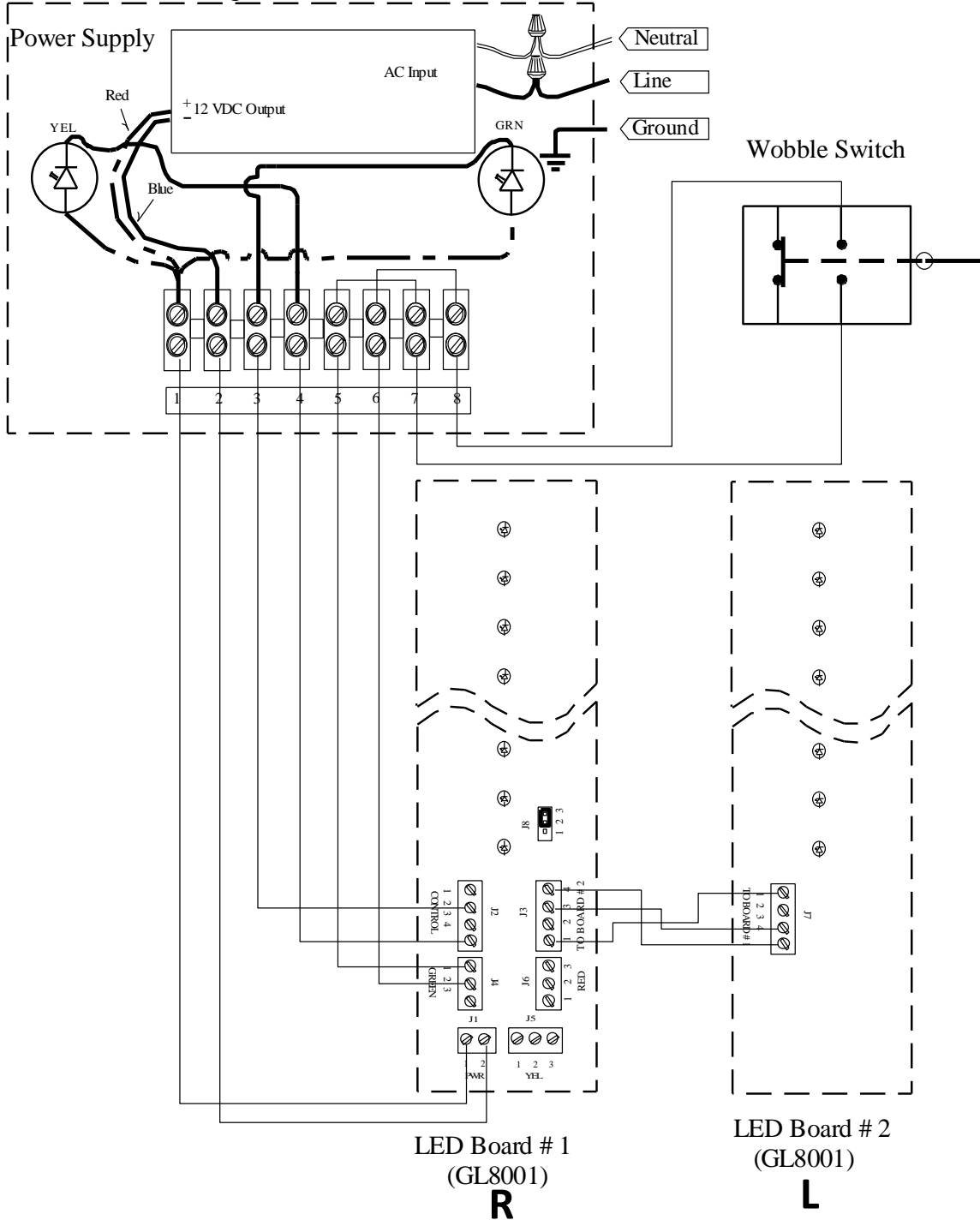
With GL1100 Power Box
(Constant Yellow Guide Light Configuration)



Wiring Diagram GL1101 (Wobble Red/ Green)

With GL1100 Power Box and Wobble Switch
 (Red/Green Guide light Configuration)

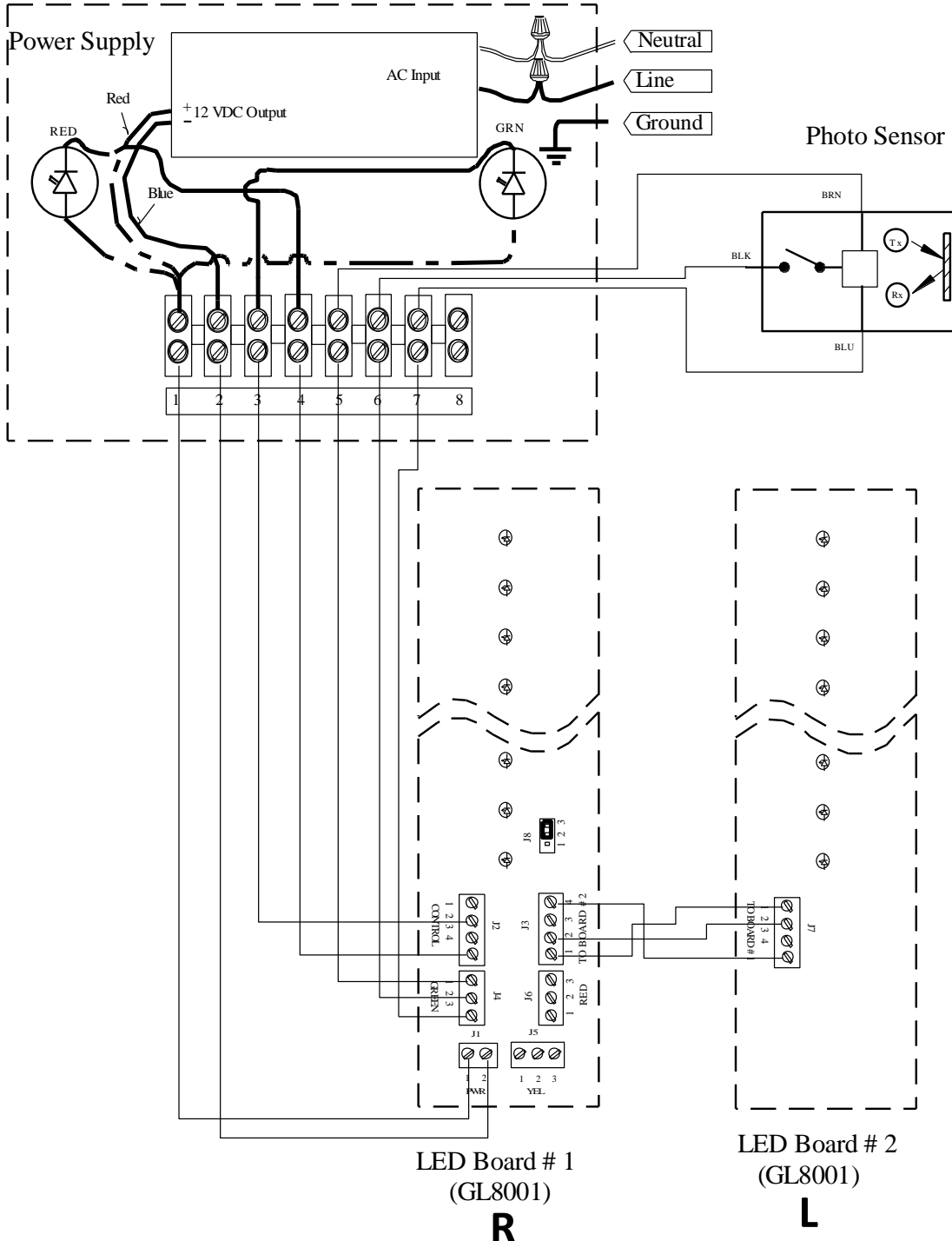
*Inside Power Box green light is "on" when door is open; use caution when entering trailer.
 Inside Power Box red light is "on" when door is closed; do not enter trailer.*



Wiring Diagram GL1102 (Photo-eye Red/ Green)

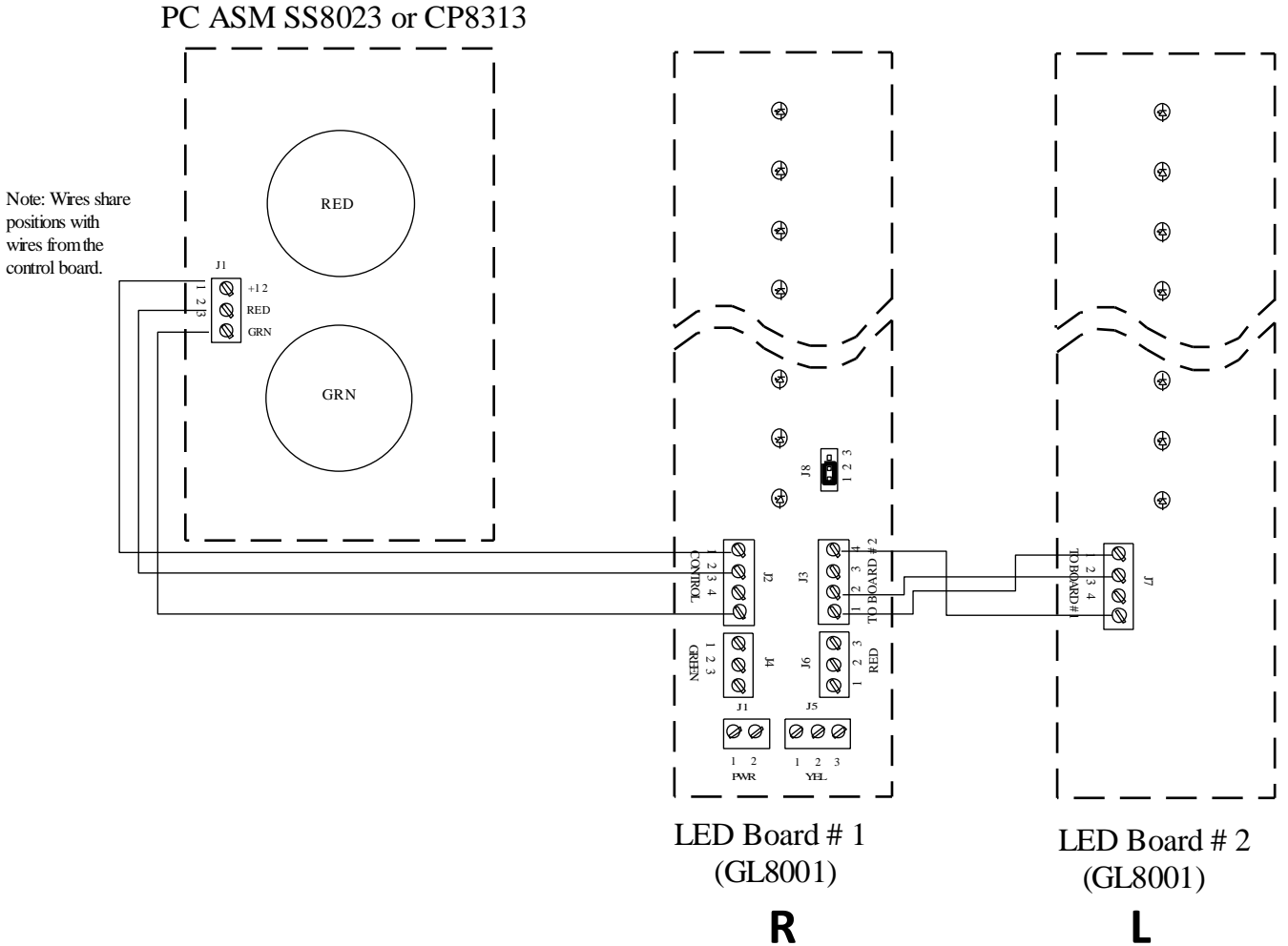
With GL1100 Power Box and Photo-Eye
(Red/Green Guide light Configuration)

Inside Power Box green light is "on" when door is open; use caution when entering trailer.
Inside Power Box red light is "on" when door is closed; do not enter trailer.



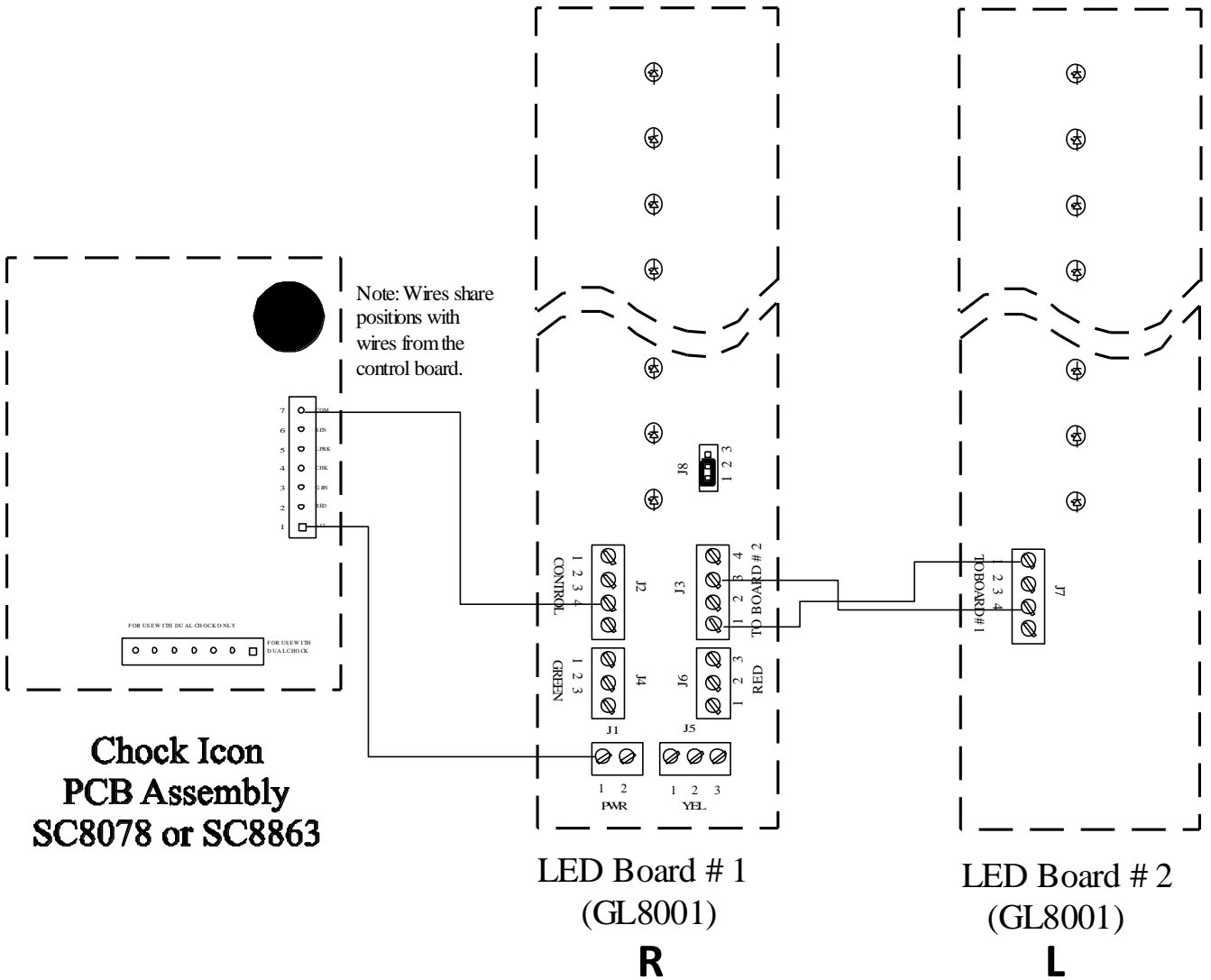
Wiring Diagram GL1103 (Safety Signal Red/Green)

With Outside Light PCB SS8023 or CP8313
(Red/Green Guide light Configuration)



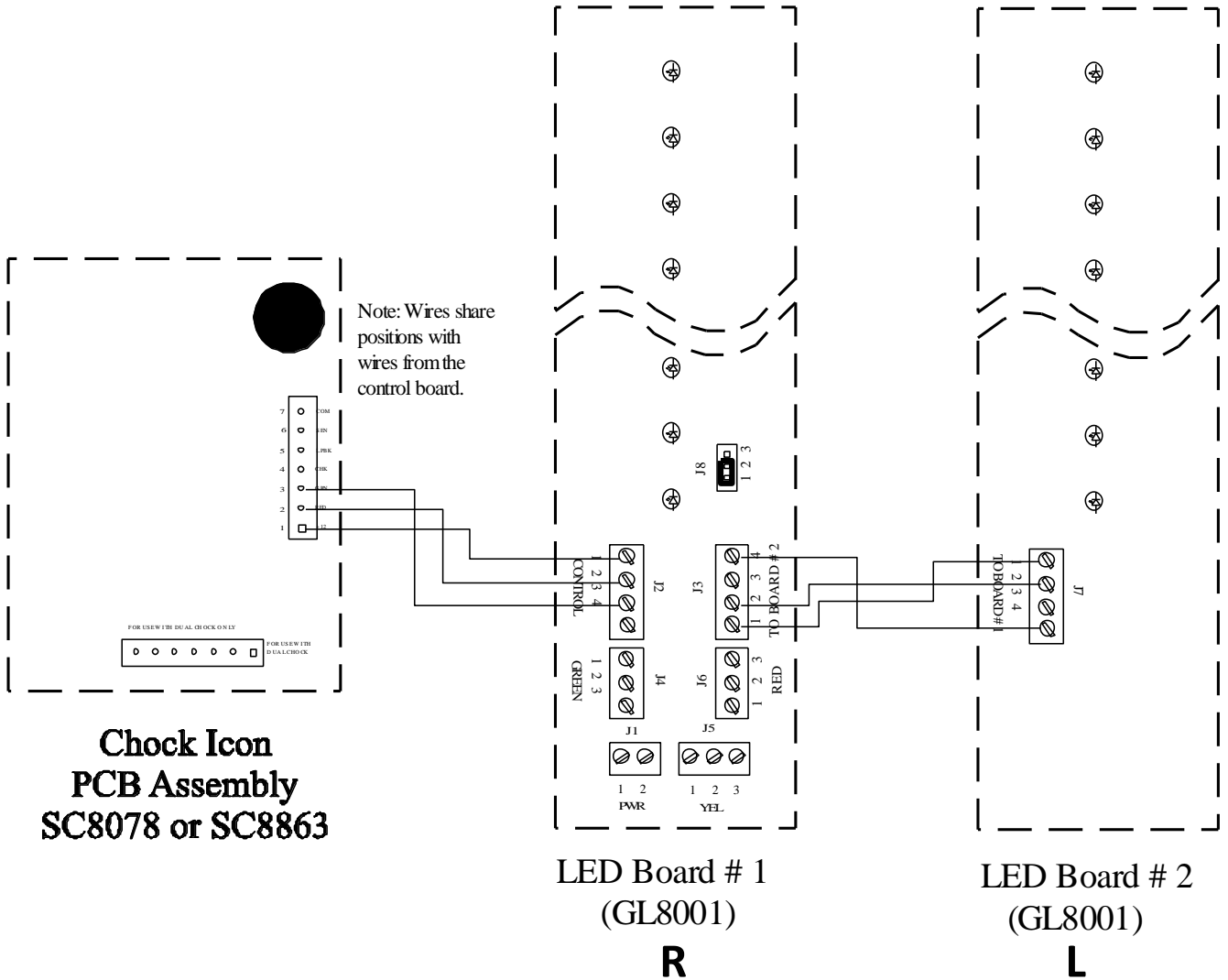
Alternate Wiring Diagram GL1103 (Smart Chock Yellow)

With Chock Icon PCB SC8078 or SC8863
(Constant Yellow Guide light Configuration)



Alternate Wiring Diagram GL1103 (Smart Chock Red/Green)

With Chock Icon PCB SC8078 or SC8863
(Red/Green Guide light Configuration)



Guide Light™ Installation Guide

DL Manufacturing

Terms / Conditions/ Warranty

Shipping Times

- ~ Orders for stock items received by 3:00pm EST will be processed for shipment the next day. Orders requesting 2nd Day Air or Overnight Air received by 1:00pm will be processed for same day shipment.

Shipments / Freight

- ~ All DL Manufacturing orders will ship directly from our facility in North Syracuse, NY.
- ~ All parts will be shipped via UPS Ground unless you authorize a different service. UPS shipments are prepaid and the charges are added to your invoices.
- ~ For orders shipping by common carrier, the freight will be FOB, North Syracuse, NY. When “best way” is the preferred shipping method on your order, DL Manufacturing will choose the carrier, unless otherwise stated, for the orders shipping from this facility. No adjustments will be made after the order has shipped.

Returns

- ~ DL Manufacturing will issue a Returned Material Authorization (RMA) number for any product, parts and accessories. Products should not be returned without an RMA number.
- ~ Replacement parts will be invoiced at the time of shipping. Invoices will be credited upon receipt and inspection of Returned Material Authorization (RMA).
- ~ Freight for returns is paid for by the shipper unless otherwise specified by DL Manufacturing.
- ~ A restocking fee of 25% of net price or a minimum \$20.00 is charged for returns.
- ~ All replacement parts are warranted for a period of 90 days from shipment.

Cancellation Fees

- ~ Cancellation charges may be incurred on orders cancelled with DL Manufacturing. Please contact DL Manufacturing to discuss each situation.

Warranty Policy

- ~ All Products (excluding bulbs) manufactured by DL Manufacturing are warranted to be free from defects for a period of 12 months from the date of shipment, excluding doors, which have a warranty period of 12 months from date of installation or 18 months from shipment, whenever occurs first. This warranty does not cover unreasonable/improper use or use beyond rated conditions, improper storage, negligence or accident; damage because of incorporated use of equipment with Goods, after Customer has or reasonably should have, knowledge of any defect; or improperly installed by any other Person that is unauthorized by DL Manufacturing. This warranty is subject to customer covenants to inform all subsequent buyers of the Goods of the limitation on and exclusive of warranties provided for herein. Customer hereby indemnifies and agrees to hold DL Manufacturing harmless from and against all losses, costs and expenses, including reasonable attorney's fees incurred by DL Manufacturing as a result of any third party claim relating to the purchase, sale or use of, or otherwise relating to, the Goods covered by this Agreement. In no event shall DL Manufacturing be required to repair, replace or reimburse Customer for more than the part or material that is found to be defective and DL Manufacturing's liability shall in such event be no greater than the invoiced price of the item and shall not include labor, shipping or other costs incurred in connection with the reshipment of defective Goods to DL Manufacturing or the reinstallation of such Goods after any repair or replacement. The remedy set forth in this paragraph is expressly agreed to be the sole and exclusive remedy for any breach of warranty. This warranty is exclusive and in lieu of all other warranties expressed or implied, including but not limited to any warranty of merchantability or of fitness for a particular purpose. Limitation of Liability - In no event as a result of breach of contract, warranty or negligence shall DL Manufacturing be liable for special, or consequential damages including but not limited to loss of profits or revenues, loss of any equipment, cost of capital, cost of substitute equipment, facilities or services, downtime costs or claims of purchasers of the Customer for such damages. Additionally, DL Manufacturing will not be liable for any delay in the performance of contracts and orders, or in the shipment and delivery of goods, or for any damage suffered by the Customer by reason of delay, when such delay is, directly or indirectly, caused by force majeure, including war, Government interference, strikes, embargoes, shortage of labor, fuel, fires, floods, or any other cause or cause whether or not similar in nature to any of those herein before specified beyond DL Manufacturing's control.

Service & Support Helpline: 866.461.1246

Service & Support Email: dlservice@dlmanufacturing.com