



INNOVATIVE PRODUCTS FOR THE LOADING DOCK INDUSTRY



PROUDLY  
MANUFACTURED  
IN THE USA

# AeroTec™ ARS

PATENT NUMBER 6,890,149

## More Than Just a Truck Fan – It's an Air Replacement System

### Cools Trailer Better, Faster

- AeroTec™ creates a high-velocity column of air that circulates through the entire length of the trailer.

Whether your application is cooling/warming the loading dock trailer or removing stale air from an export crate, AeroTec really moves air.

- AeroTec continually pulls new air in and pushes old air out, unlike ordinary truck fans that only pressurize the air in the trailer, which does not allow for adequate air exchange.

### Reduces Maintenance Costs

- AeroTec takes up to 75% less space, making it less prone to accidental collisions than ordinary truck fans that have their entire fan assembly positioned in the door opening.

- AeroTec's breakaway elbow design eliminates costly fan replacement. Unlike other truck fans that are mounted on a stiff arm support, AeroTec's elbow can be reattached in a snap if accidentally hit and knocked off, reducing costly repair or replacement.

### Safer and Quieter to Operate

- AeroTec's mechanical components are mounted beyond the heavy traffic area of the door opening making it safer and quieter to operate, thus reducing noise levels and ensuring that moving parts are out of harms way.

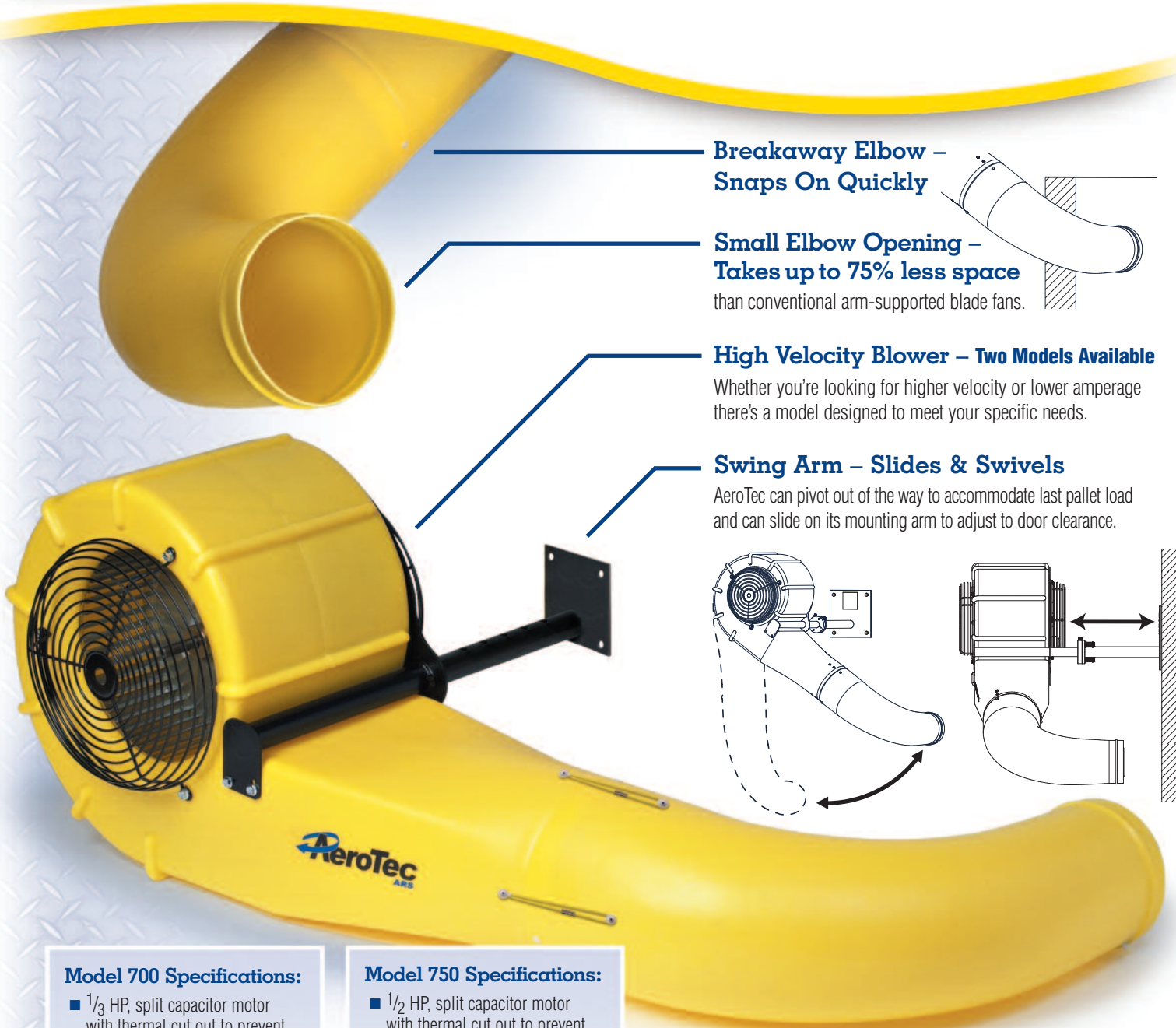


**NEW!**  
**SUPER**  
**AeroTec**  
**ARS**  
with  
**50% Higher Velocity**  
**50% More Volume**

Compared to ordinary truck fans AeroTec™ creates a high-velocity column of air that circulates in and out of the trailer faster, creating a more comfortable work environment.



INNOVATIVE PRODUCTS FOR THE LOADING DOCK INDUSTRY



**Breakaway Elbow – Snaps On Quickly**



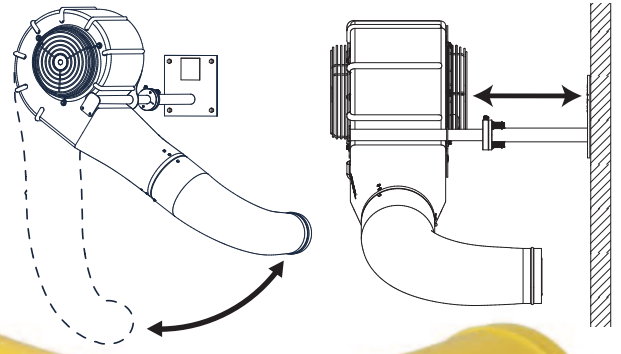
**Small Elbow Opening – Takes up to 75% less space** than conventional arm-supported blade fans.

**High Velocity Blower – Two Models Available**

Whether you're looking for higher velocity or lower amperage there's a model designed to meet your specific needs.

**Swing Arm – Slides & Swivels**

AeroTec can pivot out of the way to accommodate last pallet load and can slide on its mounting arm to adjust to door clearance.



**Model 700 Specifications:**

- 1/3 HP, split capacitor motor with thermal cut out to prevent overheating
- 115V/4.8 AMPS
- Includes 8' power cord
- UL Approved

**Model 750 Specifications:**

- 1/2 HP, split capacitor motor with thermal cut out to prevent overheating
- 115V/8.8 AMPS
- Includes 8' power cord
- UL Approved

**AeroTec Performance Chart**

	FLOW CFM	VELOCITY FT/MN	FAN SPEED RPM	HORSE POWER	CURRENT AMPS
<b>STANDARD Model 700</b>	850	4100	1050	1/3	4.8
<b>SUPER AeroTec Model 750</b>	1200	6100	1500	1/2	8.8



PATENT NUMBER 6,890,149

A Product of



340 Gateway Park Drive  
 North Syracuse, NY 13212  
 Phone: 315-463-7348  
 Fax: 315-463-8559  
 www.dlmanufacturing.com



080717

**TOLL FREE 866-235-7468**

Visit [www.dlmanufacturing.com](http://www.dlmanufacturing.com) to view our complete line of loading dock products.