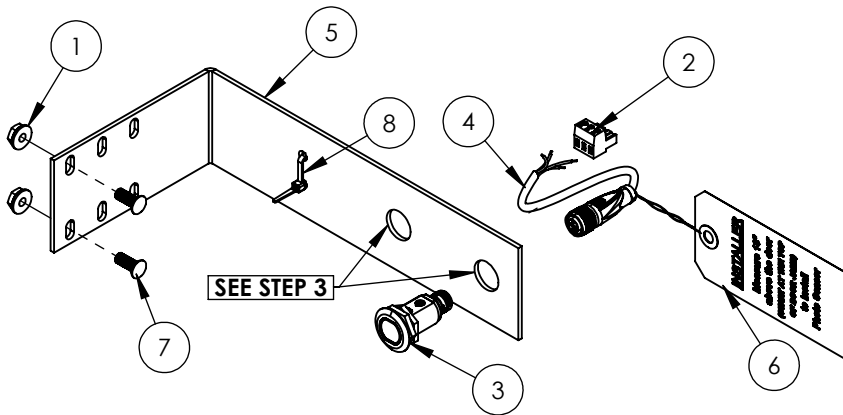


PHOTOEYE INSTALLATION GUIDE



STANDARD LOCATION (ABOVE DOOR JAMB) MOUNTING INSTRUCTIONS:

STEP 1

MEASURE 18" ABOVE THE DOOR.
SEE DETAIL A

STEP 2

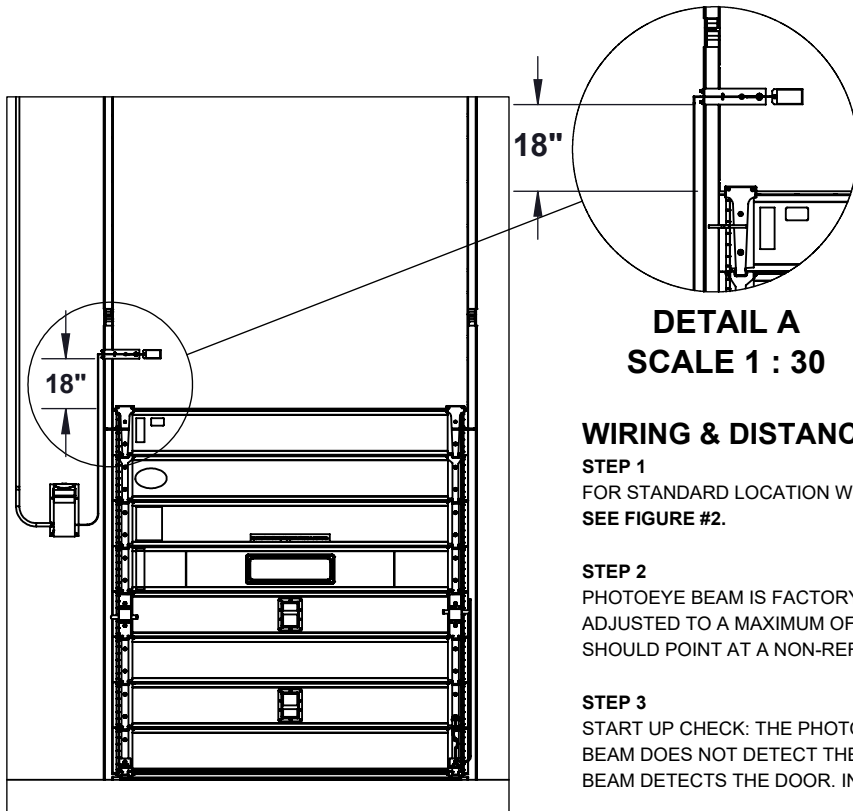
DRILL TWO HOLES IN ROLLER TRACK (USE 17/64" DRILL BIT).

STEP 3

USE MOUNTING HOLE THAT BEST LOCATES PHOTOEYE TO DETECT THE DOOR AND NO OTHER OBSTACLES, SUCH AS LIFTING CABLE.

STEP 4

ORIENT PHOTOEYE SO DISTANCE ADJUSTMENT SCREW IS FACING TOWARDS THE FLOOR.



DETAIL A
SCALE 1 : 30

WIRING & DISTANCE ADJUSTMENTS:

STEP 1

FOR STANDARD LOCATION WIRING SEE FIGURE #1. FOR REVERSE LOCATION WIRING SEE FIGURE #2.

STEP 2

PHOTOEYE BEAM IS FACTORY PRESET TO 4" DISTANCE. THIS DISTANCE CAN BE ADJUSTED TO A MAXIMUM OF 9". **IMPORTANT:** FOR BEST RESULTS, PHOTOEYE BEAM SHOULD POINT AT A NON-REFLECTIVE SURFACE.

STEP 3

START UP CHECK: THE PHOTOEYE INDICATOR LIGHT SHOULD BE SOLID GREEN WHEN BEAM DOES NOT DETECT THE DOOR. THE INDICATOR LIGHT SHOULD BE YELLOW WHEN BEAM DETECTS THE DOOR. INDICATOR LIGHT WILL BLINK IF AN ERROR OCCURS.

REVERSE LOCATION (BELOW DOOR JAMB)

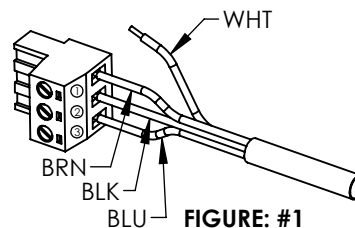


FIGURE: #1

STANDARD LOCATION (ABOVE DOOR JAMB)

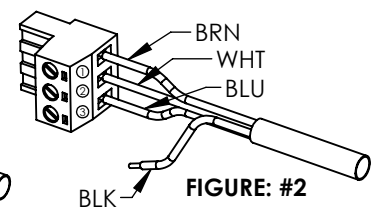


FIGURE: #2

ITEM NO.	ITEM NO.	PART NUMBER	DESCRIPTION	QTY.
CP5036	1	CP2046	1/4-20 FLANGE NUT	2
	2	CP3216	3 POLE TERMINAL BLOCK	1
	3	CP3397	P&F PHOTO SENSOR (GLV18-8-H-8083/73/120)	1
	4	CP3398	FEMALE CORD SET	1
	5	CP4052	P&F PHOTOEYE BRACKET	1
	6	CP9077	PHOTO EYE INSTALLATION MTG. INSTR. TAG	1
	7	DR2119	1/4"-20 X 5/8" SLOTTED TRACK BOLT	2
	8	VL2028	4" x 1/8" TIE WRAP	5