

## Model 450-R Single LED Versa Light Retrofit Install Procedure 120-240 VAC

**Tools needed:** Phillips screw driver, Pliers, Needle nose pliers

**Step 1. Verify Voltage is 120-240 VAC for existing light**

**Step 2. Unplug Light**

**Step 3. Remove Versa Light from mounting location and place on flat surface**

**Step 4. Remove bulb, bulb spring and socket**

- A. Remove bulb from light by pulling bulb spring out of shield groove.
- B. Disconnect bulb socket from the tube harness at the Bullet Connectors.

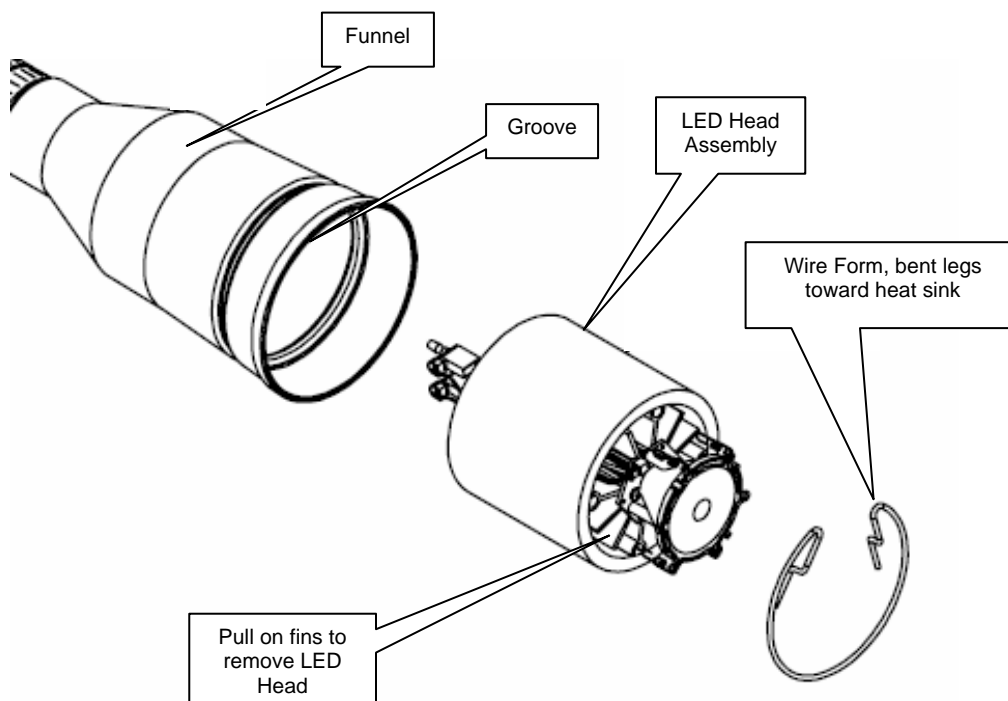
**Step 5. Remove old flex tube from cabinet**

Straighten the tube. Pull on tube while unscrewing counter clockwise from cabinet. If tube does not come out after 12 turns, put a small screw driver between tube and cabinet to keep tube spring from rotating with the tube. Discard the bulb, bulb spring, bulb socket and tube.

**Step 6. Remove light head from new tube assembly**

Remove the wire form and pull the light head assembly from the aluminum funnel using a pair of needle nose pliers. **DO NOT** pull on the lens, pull on one the aluminum heat sink fins (Figure 1).

**Figure 1**

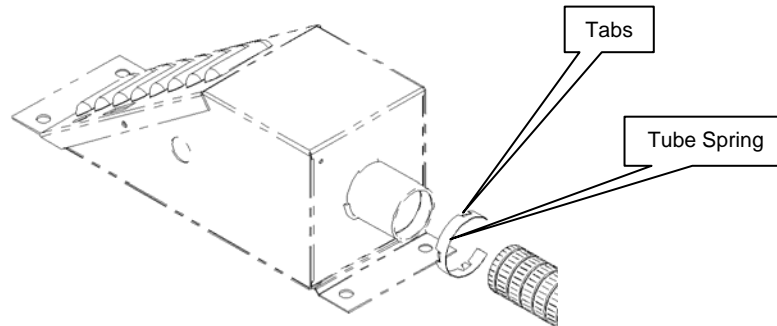


## Model 450-R Single LED Versa Light Retrofit Install Procedure 120-240 VAC

### Step 7. Install new LED flex tube into cabinet

- A. Slide new LED tube assembly over Tube Wire Harnesses.
- B. Push tube into cabinet. **NOTE:** If the tube does not push in with 15-20 pounds force then rotate tube and try again.
- C. Try to pull tube straight out. If tube pulls out then replace the tube spring. Tabs must be pointing into cabinet (Figure 2).

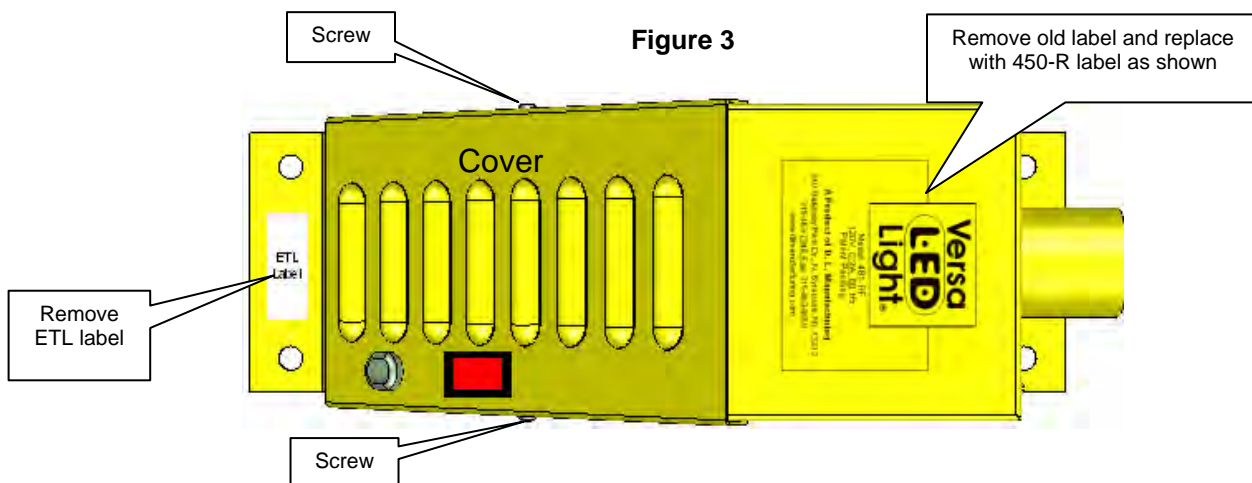
Figure 2



### Step 8. Reattach light head to LED tube assembly

- A. Plug wires from LED head into the bullet connects on the tube wire harness. Make sure to match wire colors (Black to Black, Red to Red)
- B. While referring to Figure 1, push the heat sink into the funnels, making sure not to pinch or cut any wires. The heat sink should be below the ridge in the funnel.
- C. Install the wire form to hold the heat sink in place, with legs toward the heat sink. The wire form should be under the groove in the funnel.

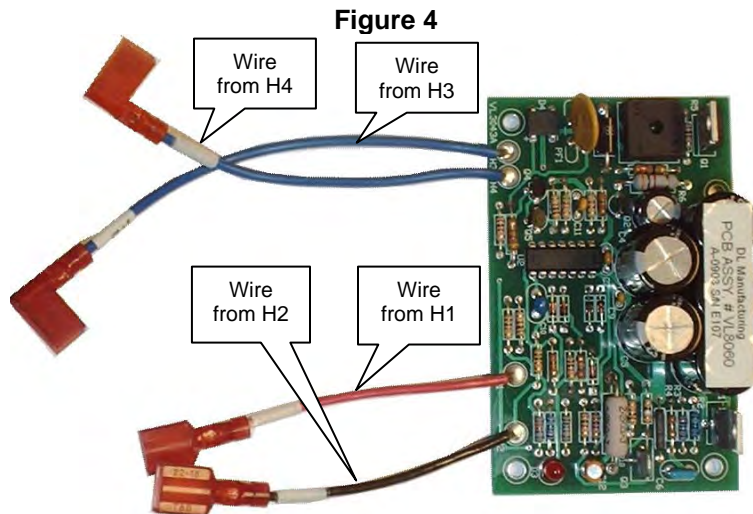
### Step 9. Remove cover



Remove cover by taking out two Phillips head screws (Figure 3). Do not remove the switch.

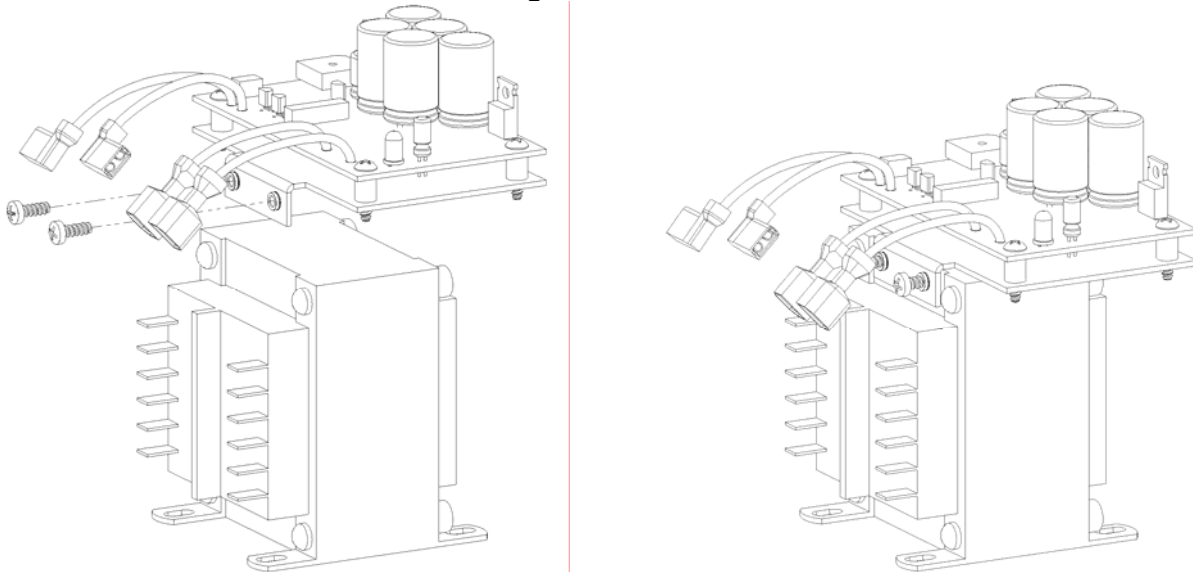
## Model 450-R Single LED Versa Light Retrofit Install Procedure 120-240 VAC

### Step 10. Install PC Board Assembly VL8060 (Wires from H1 & H2)



- A.** Place board assembly (Figure 4) over transformer, loosen screws until bracket sets on top of transformer then tighten screws to a maximum torque of 8 inch pounds. (Figure 5A & 5B).

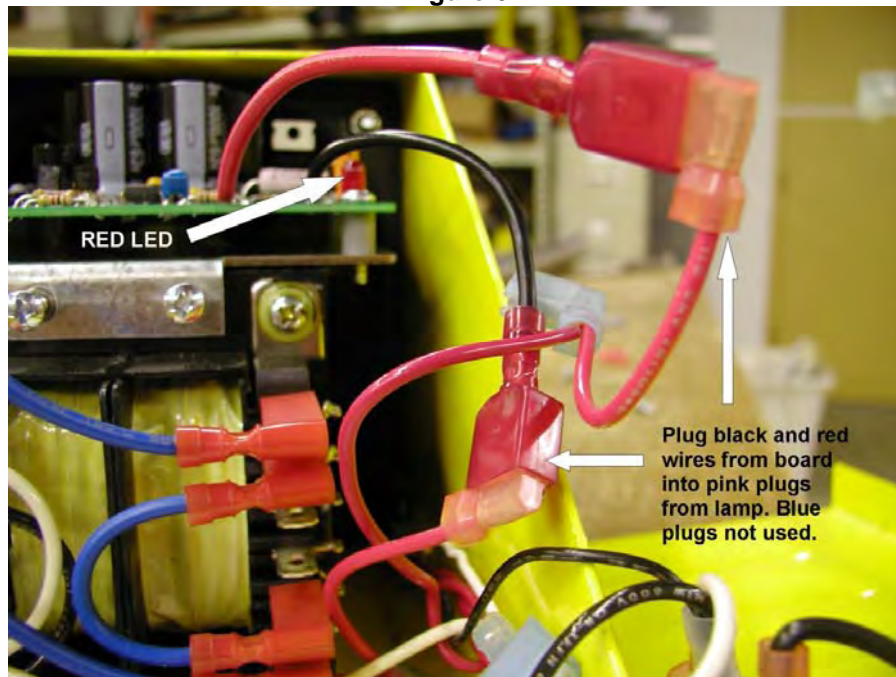
**Figures 5A & 5B**



- B.** Unplug red wires from transformer.  
**C.** If Versa Light XL Model, remove black thermistor on center two tabs and wire harness see (Figure 7).  
**D.** Plug one red wire into red wire from H1. Second plug is not used. (Figure 6)  
**E.** Plug the other red wire into black wire from H2. Second plug is not used. (Figure 6)

# Model 450-R Single LED Versa Light Retrofit Install Procedure 120-240 VAC

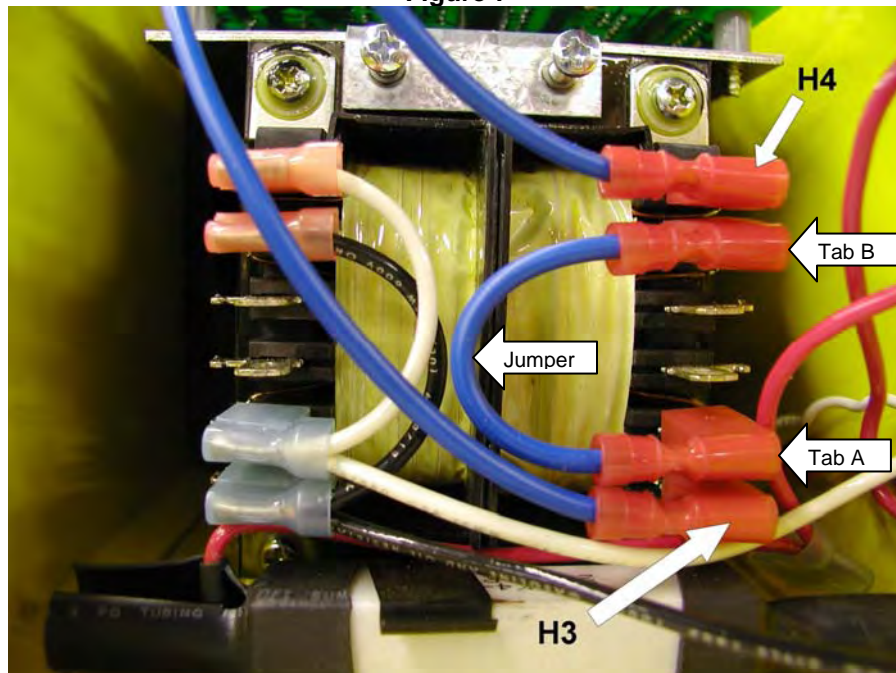
Figure 6



## Step 11. Install PC Board Assembly VL8060 (Wires from H3 & H4)

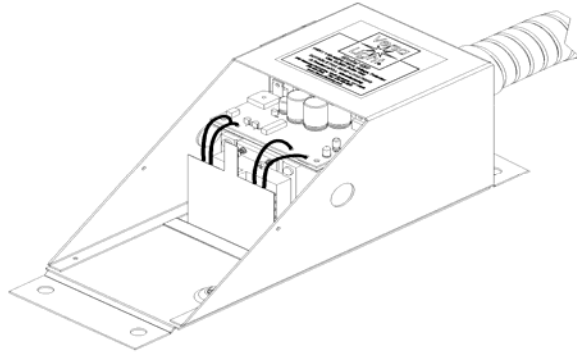
- A. Plug wire from H3 onto bottom right hand tab of transformer. (Figure 7)
- B. Plug wire from H4 onto top right hand tab of transformer. (Figure 7)
- C. Plug jumper onto tabs A & B. (Figure 7)

Figure 7



# Model 450-R Single LED Versa Light Retrofit Install Procedure 120-240 VAC

Figure 8 VL8060 Installed in Cabinet



## Step 12. Testing procedure

- A. Plug into outlet and turn switch on. The light should turn on.
- B. If light does not come on, check to see if the Red LED on the PC Board assembly is on (see figure 6 for Red LED location).
- C. If the Red LED is on, unplug light from the outlet and swap wires that are connected to the Red and Black wires coming from the PC Board assembly.
- D. Plug light back into outlet. The Red LED should now be off and the light should be on.
- E. Unplug light and reattach the cover with the Phillips head screws.

## Step 13. Put on labels

- A. Remove the label and replace with Model 450-R label (see figure 3).
- B. Put a blank label over the ETL label if there (see figure 3).

## Step 14. Remount light to wall

### Basic Wiring Diagram

